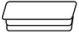
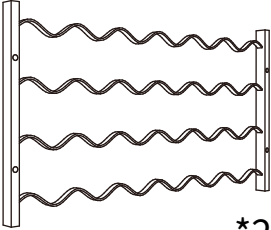



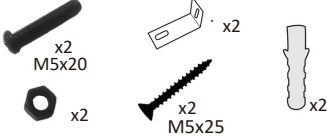

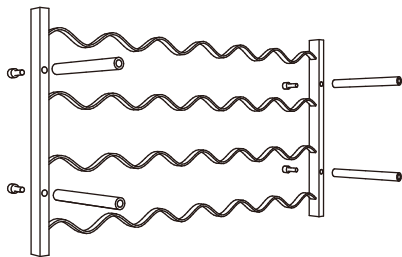


M24A Assembly Instruction

Parts included

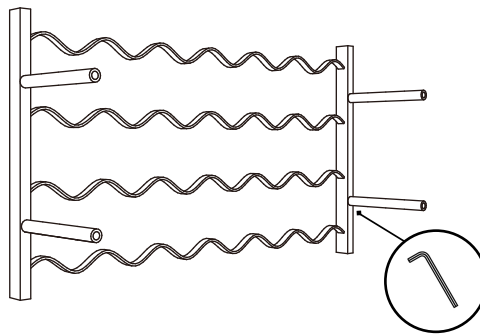
①	②	③	④	⑤	⑥	⑦
Rubber Plug	Metalframe	Metal Connector	Hex screw	Hex wrench	Wallmountaccessories	Connector
 *8	 *2	 *4	 *8		 x2 M5x20 x2 x2 M5x25	 *4

Step1



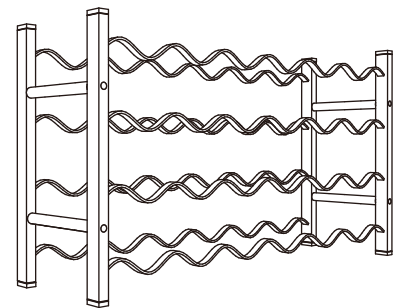
Screw a metal connector into meta lframe as shown.

Step2



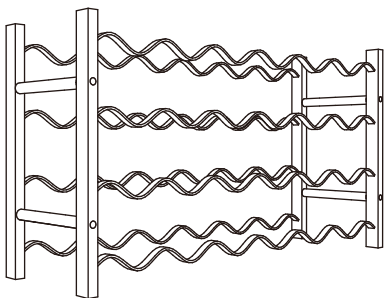
Screw another 3 pieces metal connectors into metal frame one by one same as step1

Step5



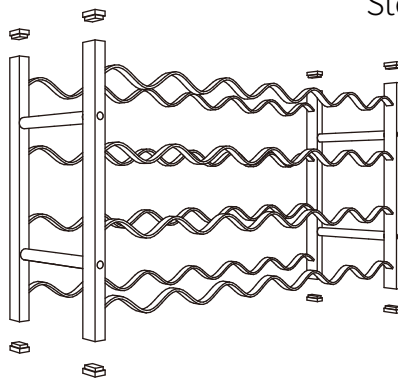
Joint Two items into one with 2 pieces connectors as shown

Step3



Screw the other side of metal framesame as step1 and step2.

Step4



Put 4 pieces of rubber plugs into thetop of metal frame one by one ass shown

Important : 1.Tighten all hex screws with a hex wrench.
2. Use wall Mount accessories to mount the item into wall