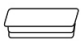
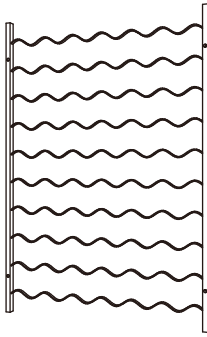



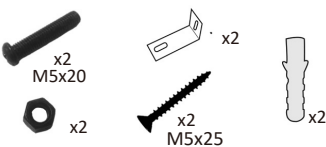

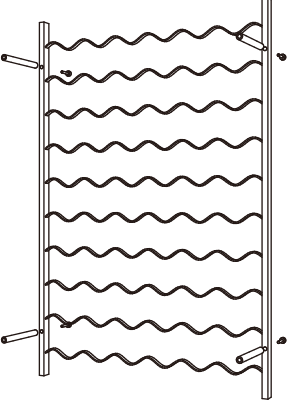
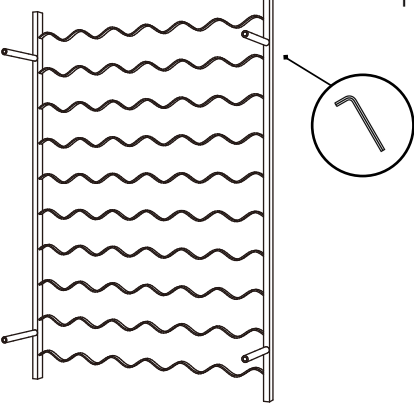
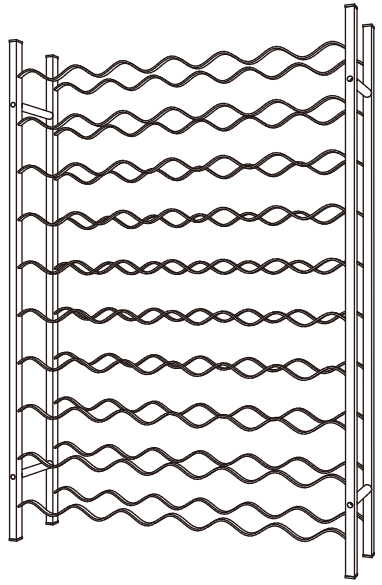
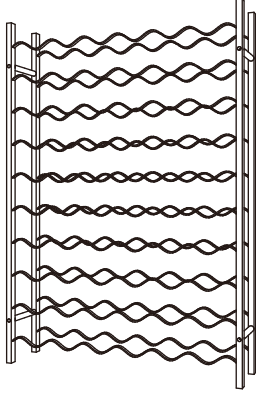
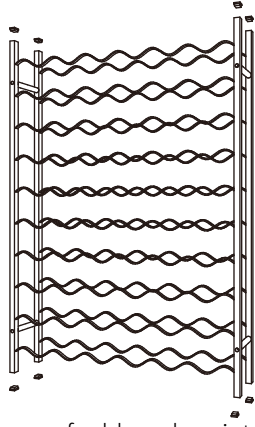


# M60 Assembly Instruction

## Parts included

①	②	③	④	⑤	⑥	⑦
Rubber Plug	Metalframe	Metal Connector	Hex screw	Hex wrench	Wallmountaccessories	Connector
 *8	 *2	 *4	 *8		 x2 M5x20 x2 M5x25 x2 x2	 *4

<p>Step1</p>  <p>Screw a metal connector into metal frame as shown.</p>	<p>Step2</p>  <p>Screw another 3 pieces metal connectors into metal frame one by one same as step1</p>	<p>Step5</p>  <p>Joint Two items into one with 2 pieces connectors as shown</p>
<p>Step3</p>  <p>Screw the other side of metal frames same as step1 and step2.</p>	<p>Step4</p>  <p>Put 4 pieces of rubber plugs into the top of metal frame one by one as shown</p>	

**Important :** 1.Tighten all hex screws with a hex wrench.  
2. Use wall Mount accessories to mount the item into wall