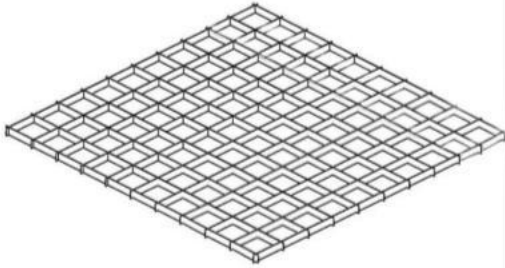


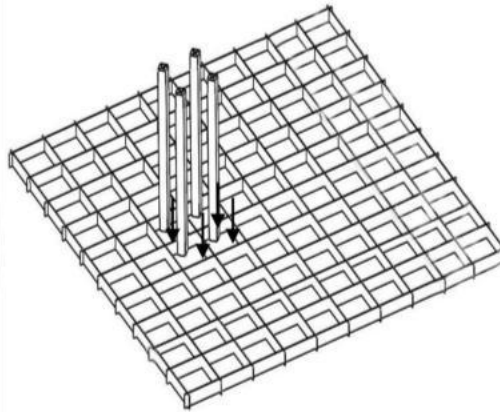
# Wine Rack Instruction Manual

## Step 1



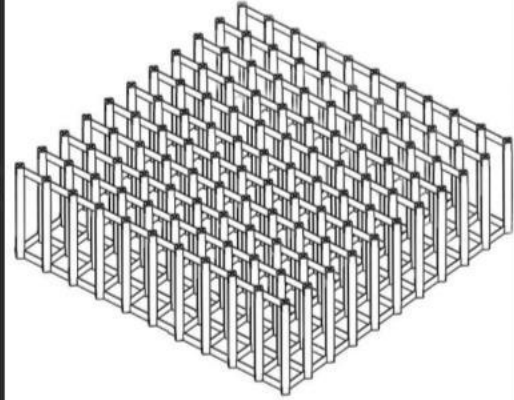
Assemble the bottom metal frame on a flat surface.

## Step 2



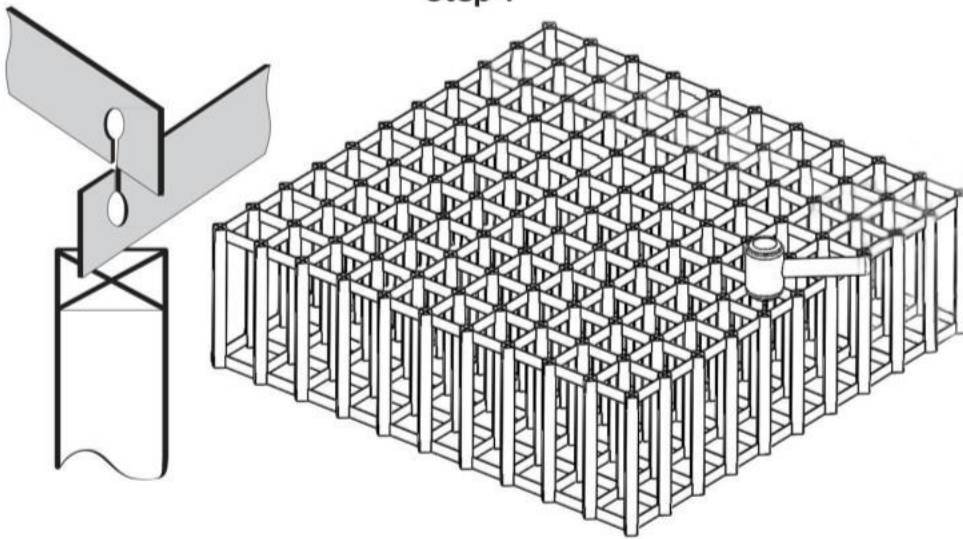
Line up and insert the wood rack pieces into the metal frame. Use a rubber mallet to install into the metal cross frame. Repeat until all wood rack pieces are installed.

## Step 3



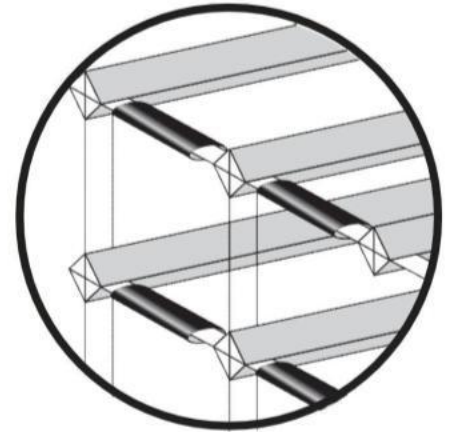
Very important! Insert one section of the metal frame only half way down into the wood pieces.

## Step 4



Insert the second section of the metal frame into the first and using a rubber mallet complete the installation into the wood pieces.

## Step 5



The bottle neck label protectors snap onto the front side of the metal frame as shown.

A X110



B X121



235\*27.5\*27.5MM

C x44



24\*973\*1MM

## Parts Included:

- A Protectors x110 pcs
- B Wood slats x121 pcs
- C Metal pieces x44 pcs