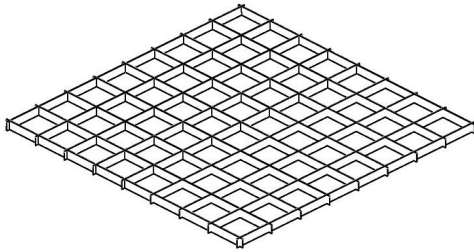


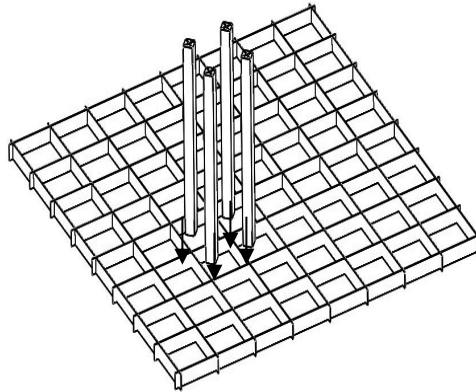
# Wine Rack Instruction Manual

## Step 1



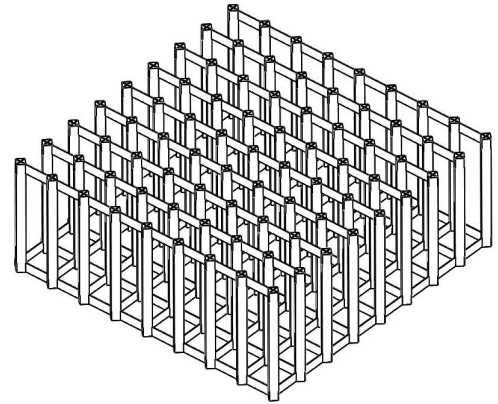
Assemble the bottom metal frame on a flat surface.

## Step 2



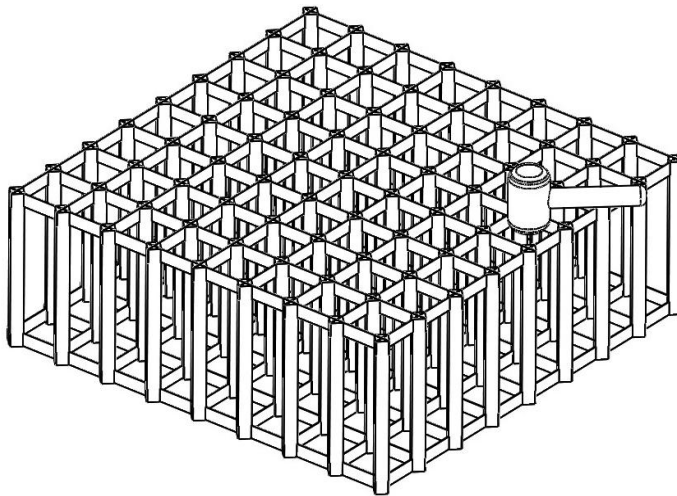
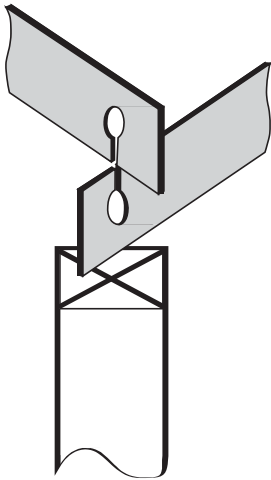
Line up and insert the wood rack pieces into the metal frame. Use a rubber mallet to install into the metal cross frame. Repeat until all wood rack pieces are installed.

## Step 3



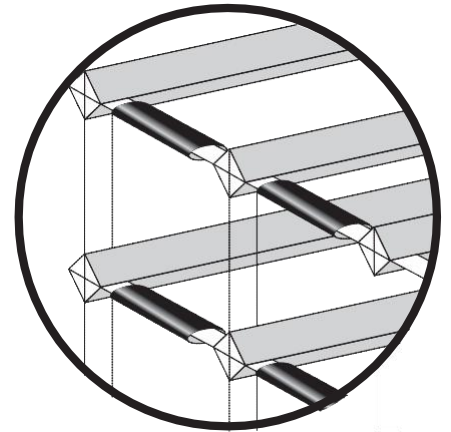
Very important! Insert one section of the metal frame only half way down into the wood pieces.

## Step 4



Insert the second section of the metal frame into the first and using a rubber mallet complete the installation into the wood pieces.

## Step 5



The bottle neck label protectors snap onto the front side of the metal frame as shown.

### AX 90

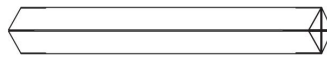
Neck Protectors



### BX100

B

x 70



### C X40



### Parts Included:

- A Protectors x 90 pcs
- B Wood slats x 100 pcs
- C Metal pieces x 40pcs