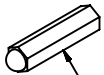


A = 1



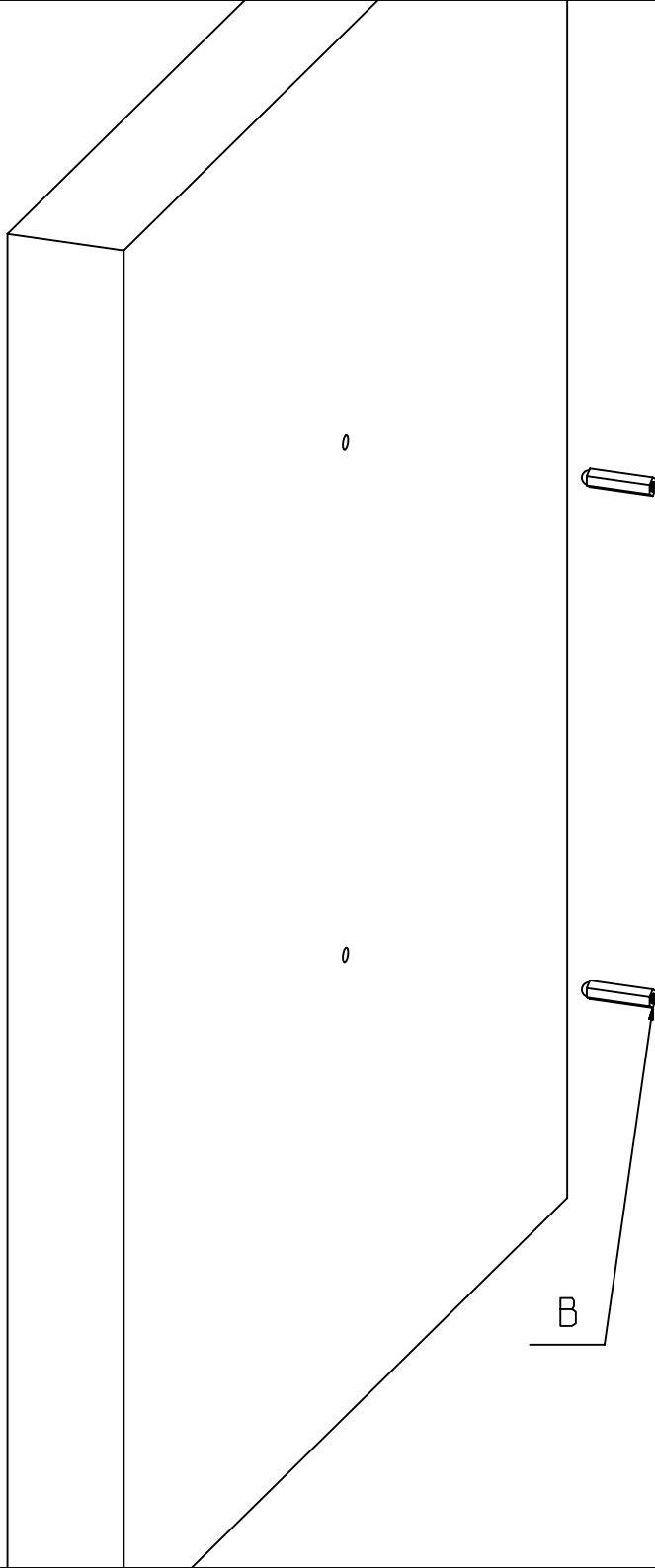
B = 2



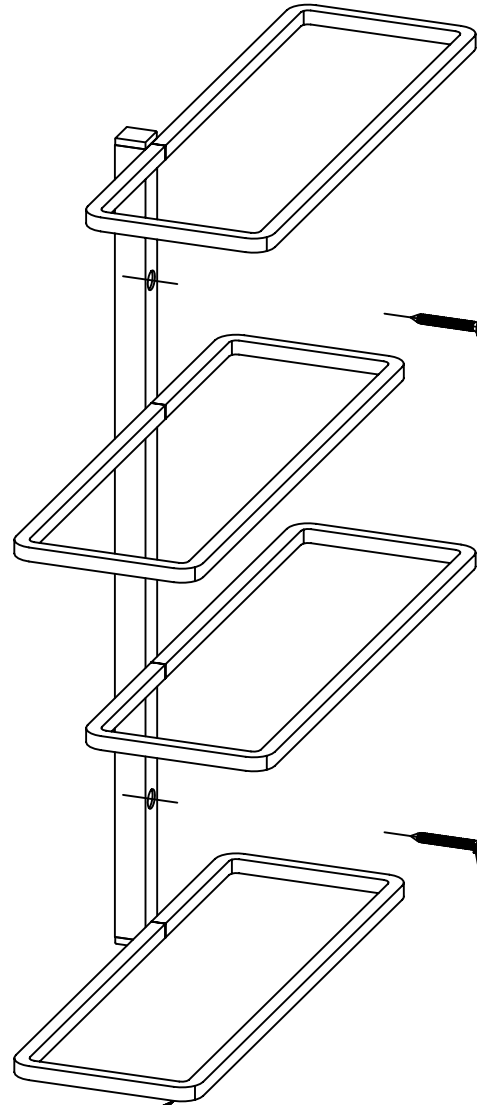
C = 2



D = 2



B



A

C

D