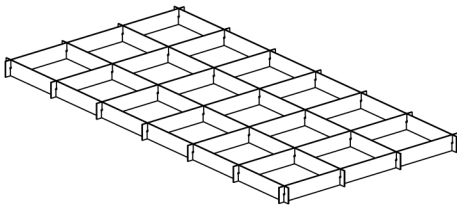


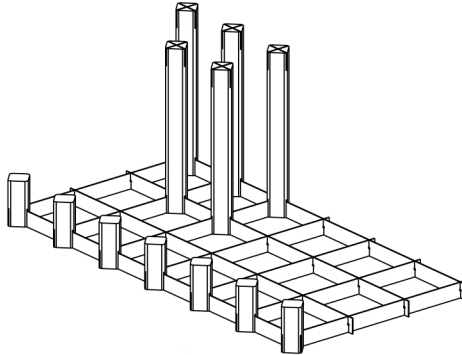
Wine Rack Instruction Manual

Step 1



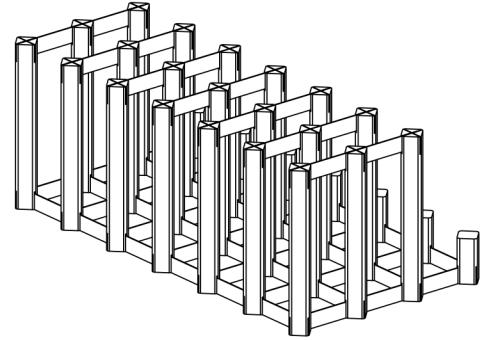
Assemble the bottom metal frame on a flat surface.

Step 2



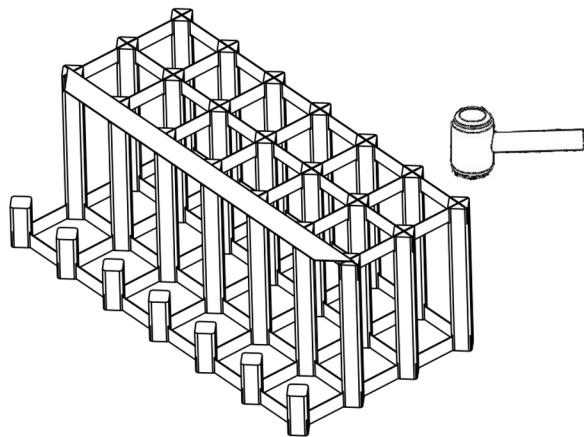
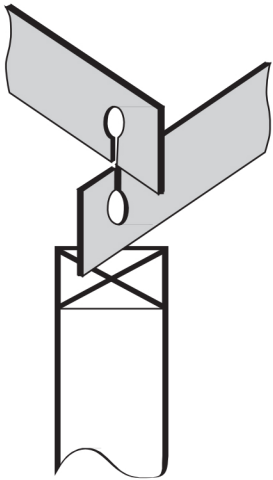
Line up and insert the wood rack pieces into the metal frame. Use a rubber mallet to install into the metal cross frame. Repeat until all wood rack pieces are installed.

Step 3



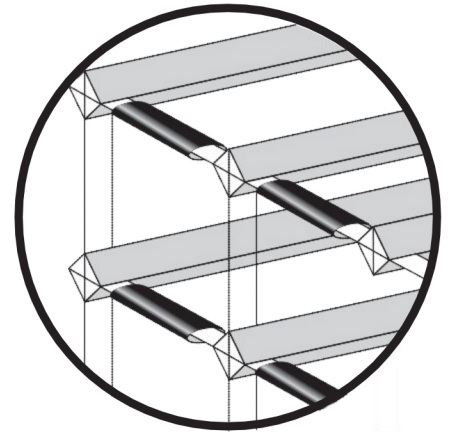
Very important! Insert one section of the metal frame only half way down into the wood pieces.

Step 4



Insert the second section of the metal frame into the first and using a rubber mallet complete the installation into the wood pieces.

Step 5



The bottle neck label protectors snap onto the front side of the metal frame as shown.

AX18

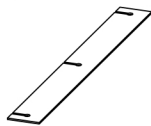


CX21



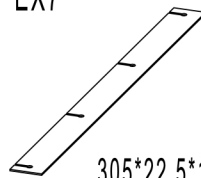
235*27.5*27.5mm

DX7



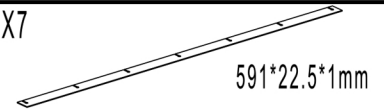
210*22.5*1mm

EX7



305*22.5*1mm

FX7



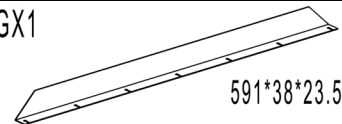
591*22.5*1mm

BX7



65*27.5*27.5mm

GX1



591*38*23.5mm

Parts Included:

- | | |
|-----------------------|-----------------------|
| A Protectors x18 pcs | E Metal pieces x7 pcs |
| B Wood slats x7 pcs | F Metal pieces x7 pcs |
| C Wood slats x21pcs | G Metal pieces x1 pcs |
| D Metal pieces x7 pcs | |