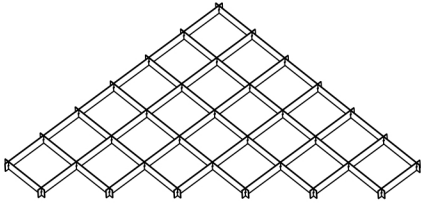


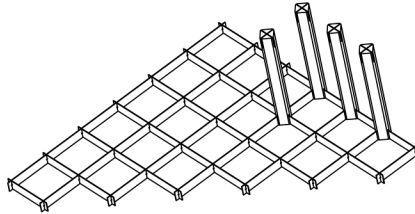
Wine Rack Instruction Manual

Step 1



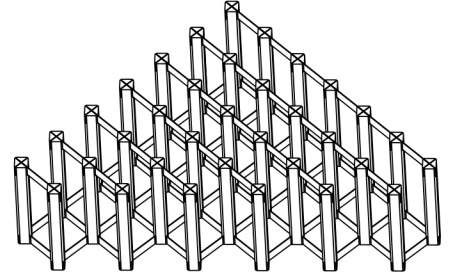
Assemble the bottom metal frame on a flat surface.

Step 2



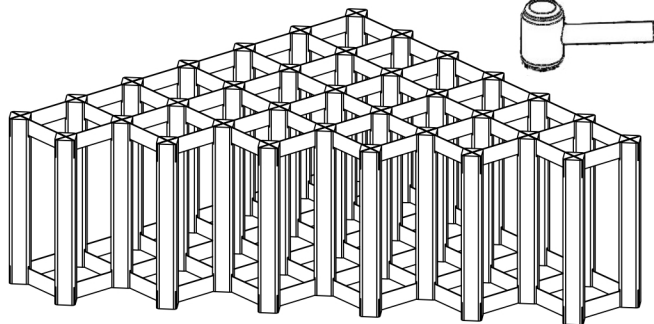
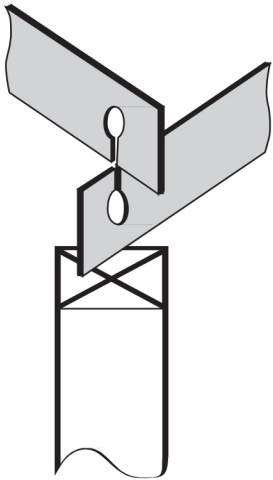
Line up and insert the wood rack pieces into the metal frame. Use a rubber mallet to install into the metal cross frame. Repeat until all wood rack pieces are installed.

Step 3



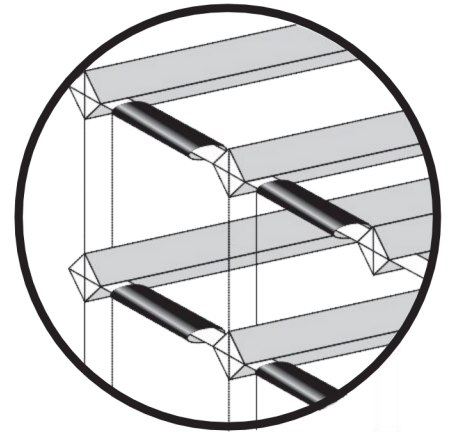
Very important! Insert one section of the metal frame only half way down into the wood pieces.

Step 4



Insert the second section of the metal frame into the first and using a rubber mallet complete the installation into the wood pieces.

Step 5

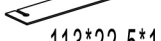


The bottle neck label protectors snap onto the front side of the metal frame as shown.

AX27



CX4



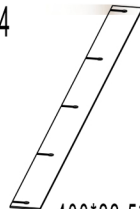
113*22.5*1mm

EX4



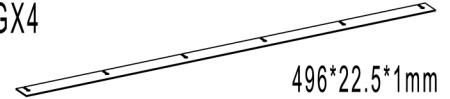
305*22.5*1mm

FX4



400*22.5*1mm

GX4



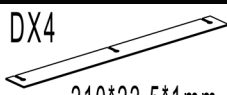
496*22.5*1mm

BX34



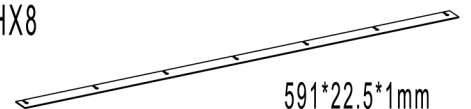
235*27.5*27.5mm

DX4



210*22.5*1mm

HX8



591*22.5*1mm

Parts Included:

A Protectors	x27 pcs	E Metal pieces	x4 pcs
B Wood slats	x34pcs	F Metal pieces	x4 pcs
C Metal pieces	x4pcs	G Metal pieces	x4 pcs
D Metal pieces	x4 pcs	H Metal pieces	x8 pcs